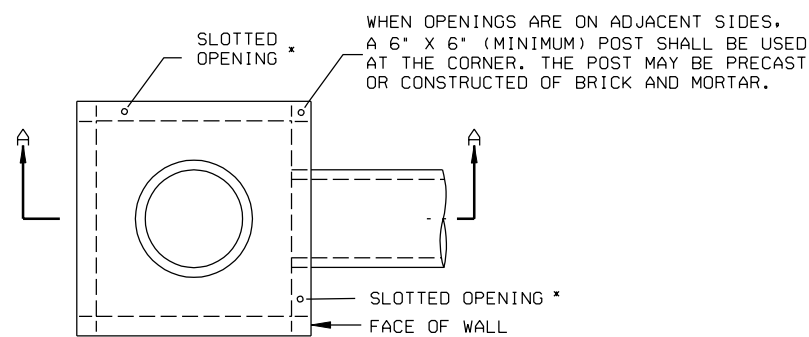
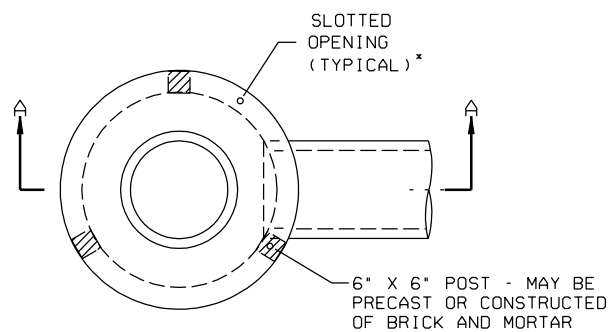


REVISIONS			
No.	DATE	BY	BRIEF DESCRIPTION
1	08-OCT-02	RLT	Added 6" dimension to Section A-A



PLAN
SQUARE BASIN
(48" X 48")



PLAN
ROUND MANHOLE TYPE
(48" DIAMETER - 72" DIAMETER)

NOTES

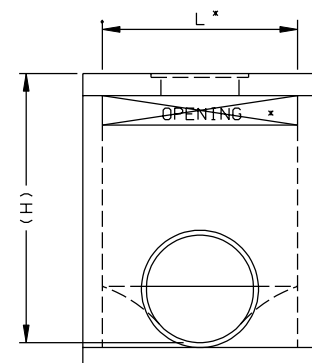
1. SQUARE INLETS MAY HAVE FOUR OPENINGS AND MAY BE LOCATED ON ANY OR ALL SIDES. ROUND-MANHOLE-TYPE DROP INLETS MAY HAVE A MAXIMUM OF THREE OPENINGS.
2. SQUARE INLETS SHALL MEET ASTM C 931 REQUIREMENTS FOR WALL THICKNESS, SLAB THICKNESS, CONCRETE STRENGTH, AND STEEL REINFORCEMENT REQUIREMENTS. ROUND INLETS SHALL MEET ASTM C 478.
3. THE TOP AND ITS SUPPORTS MAY BE PRECAST AS ONE UNIT.
4. CONCRETE INVERTS SHALL BE CONSTRUCTED IN THE FIELD AS TO PROVIDE POSITIVE FLOW.
5. THE MANHOLE FRAME AND COVER SHALL BE IN ACCORDANCE WITH CITY OF KNOXVILLE STANDARD DETAIL FOR TRAFFIC BEARING MANHOLE FRAMES AND COVERS, NO. COK-2.

DEPTH TABLE

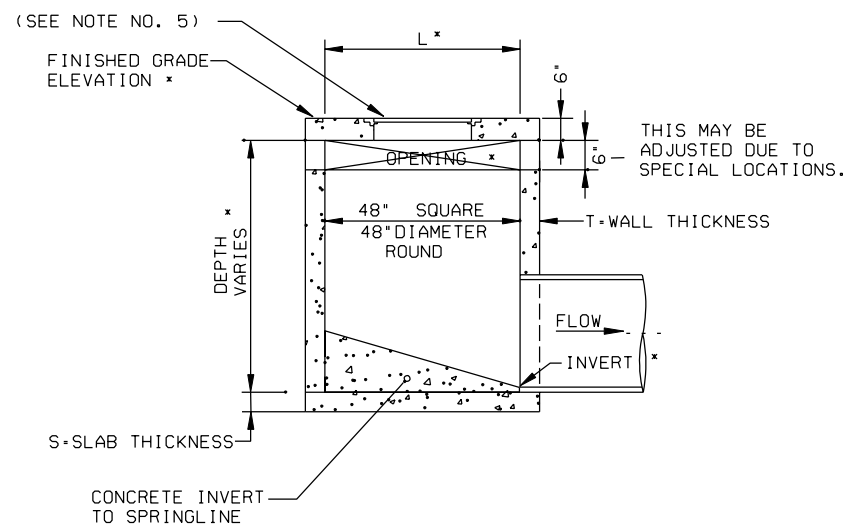
PIPE SIZE	(D) LOWER PORTION INLET DIAMETER	(H) MINIMUM DEPTH
12"	4'	3' - 9"
15"	4'	4' - 0"
18"	4'	4' - 3"
21"	4'	4' - 9"
24"	4'	5' - 0"
30"	4'	5' - 6"
36"	5'	6' - 9"
42"	6'	7' - 3"
48"	6'	7' - 9"
SPAN	RISE	
23" X 14"	4'	4' - 0"
30" X 19"	4'	4' - 3"
38" X 24"	5'	5' - 9"
45" X 29"	6'	6' - 3"

SPAN-RISE DENOTES ELLIPTICAL AND ARCHED PIPES

STRUCTURE TYPE	(T) WALL THICKNESS	(S) SLAB THICKNESS
48" X 48"	8"	8"
48" DIA.	5"	6"
60" DIA.	6"	8"
72" DIA.	7"	8"



SIDE VIEW



SECTION A-A

* SEE SITE-SPECIFIC PLANS AND PROFILES FOR 'L', DEPTHS, ELEVATIONS, AND NUMBER AND LOCATIONS OF OPENINGS.

CITY OF KNOXVILLE
DEPARTMENT OF ENGINEERING

DRAWN: MLR
DATE: 08-SEP-01
CHECKED: RLT
APPROVED: DTH

STANDARD DETAIL FOR
DROP INLET
(PRECAST CONCRETE)

COK-7