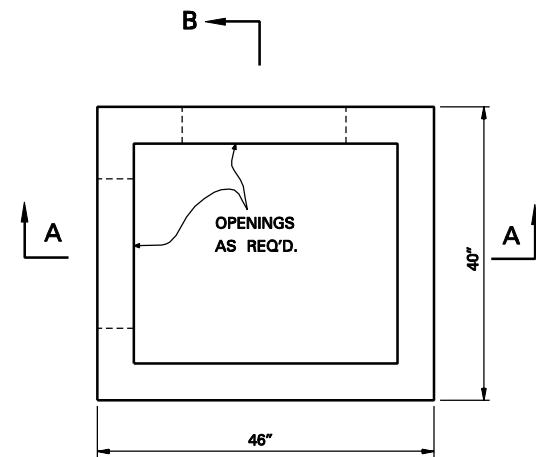
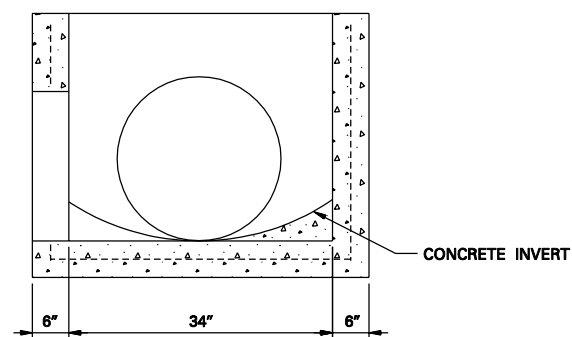


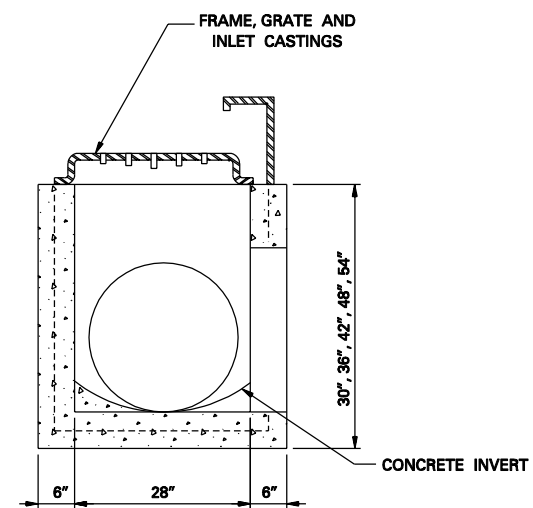
REVISIONS			
No.	DATE	BY	BRIEF DESCRIPTION



PLAN VIEW
(WITHOUT CASTING)



SECTION A - A
(BASE ONLY)



SECTION B - B

NOTES:

1. MINIMUM CONCRETE STRENGTH 4,000 POUNDS PER SQUARE INCH.
2. STEEL REINFORCEMENT MINIMUM OF 0.12 SQUARE INCH PER SQUARE FOOT.
3. THE PRECAST STRUCTURE SHALL NOT HAVE MORE THAN THREE HOLES FOR THE PURPOSE OF HANDLING.
4. LIFTING DEVICE HOLES SHALL BE TAPERED AND PLUGGED WITH STOPPERS OR MORTARED AFTER INSTALLATION.
5. CONCRETE INVERTS SHALL BE CONSTRUCTED IN THE FIELD AS TO PROVIDE POSITIVE FLOW.

CITY OF KNOXVILLE DEPARTMENT OF ENGINEERING		DRAWN: RW DATE: 15-NOV-01 CHECKED: RLT APPROVED: DTH
STANDARD DETAIL FOR 28" X 34" PRECAST CONCRETE CURB INLET		COK-9