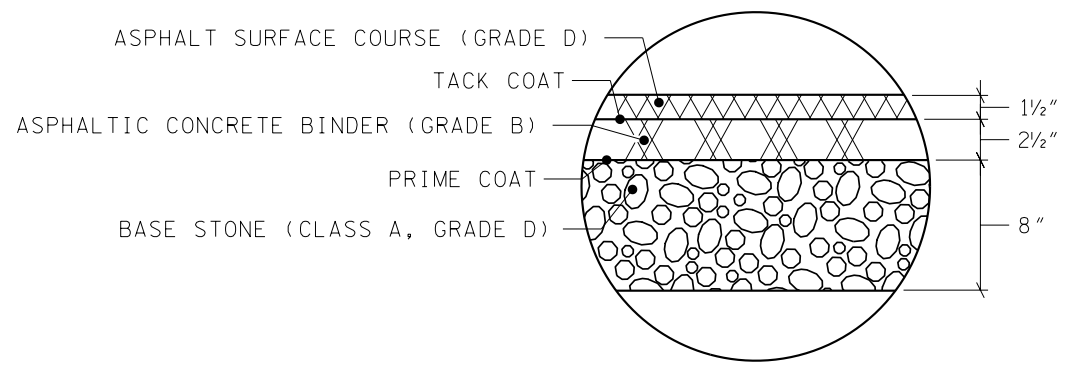
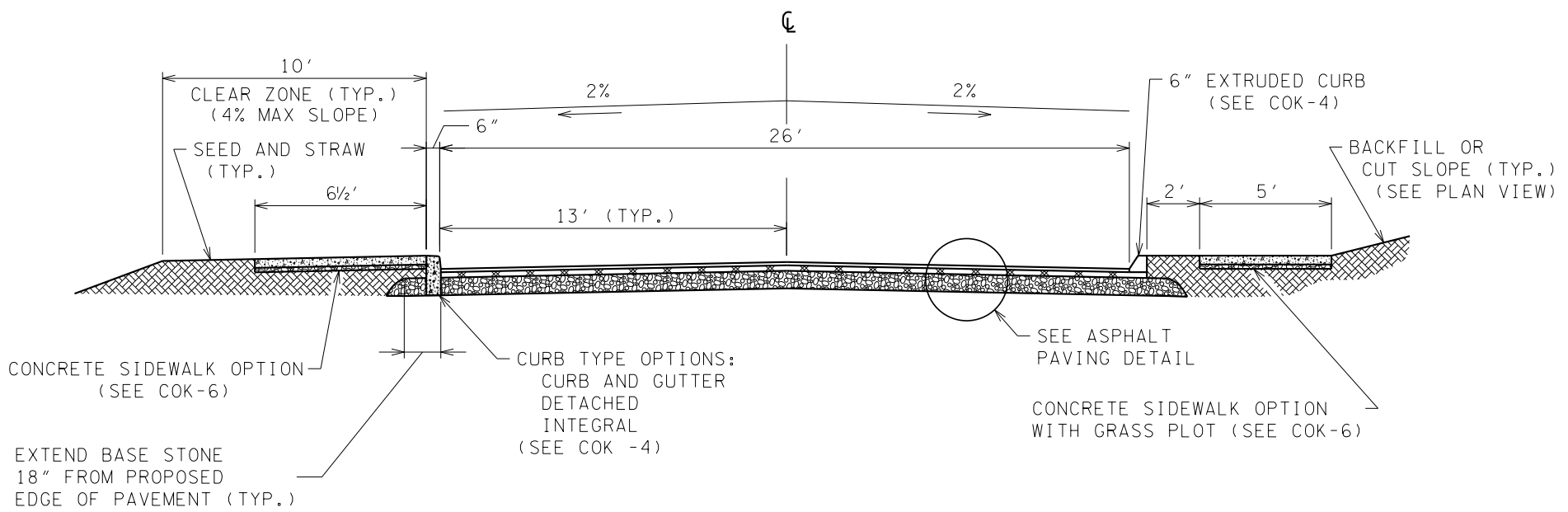


REVISIONS	Description
No.	Date

SCALE: N.T.S.

LOCAL ROAD CROSS SECTION



ASPHALT PAVING DETAIL  
 N.T.S

PRIME COAT: 0.2 TO 0.5 GALLONS PER SQ. YARD  
 TACK COAT: 0.05 TO 0.10 GALLONS PER SQ. YARD